



## VSE 003 Local Port RS-485 Interface Module

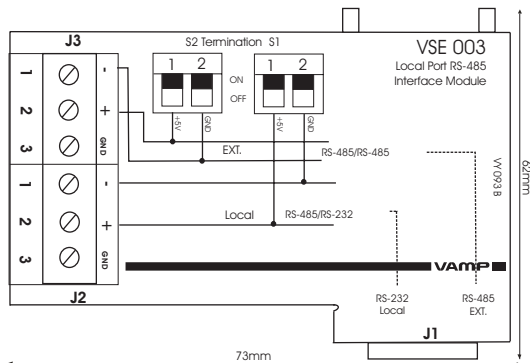
### General

LOCAL port RS-485 Interface Module VSE 003 provides:

- Galvanically isolated RS-485 interface to External I/O modules
- Galvanically isolated RS-485 interface for a "Service Bus"
- The VSE 003 is attached to the LOCAL serial port at the back of a VAMP 200-series relay.

### NOTE!

- The recommended baudrate of both serial interfaces is 9600 bits/s.
- The intended usage of the "Service Bus" is to run VAMPSET over SPA-Bus protocol.



### Power supply

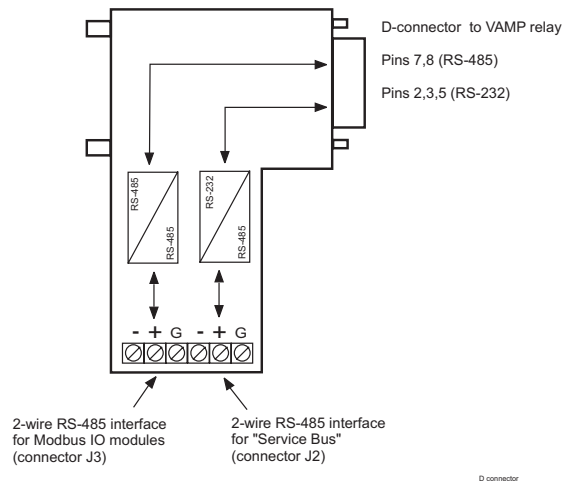
The power for the module is taken from pin 4 of the D-connector of the VAMP relay.

### RS-485 interface

The RS-485 interface supports 2-wire connection. There is a dip switch to switch the termination resistors on or off.

The direction control of the RS-485 transceiver is done automatically. The automatic direction control turns the transceiver to transmit mode after detecting the falling edge of a 0-bit. When the transceiver is changed to receive mode, the RS-485 line changes state to logic 1 state due to the biasing resistors.

### Logical connection inside the VSE 003



### Ordering code

VSE 003 LOCAL port RS-485 interface module

VAMP Ltd  
 P.O.Box 810  
 FI-65101 VAASA  
 Finland

Visiting Address:  
 Vaasa Airport Park  
 Yrittäjänkatu 15  
 Vaasa, Finland

Tel: +358 20 753 3200  
 Fax: +358 20 753 3205  
 Email: [vamp@vamp.fi](mailto:vamp@vamp.fi)  
<http://www.vamp.fi>

We reserve the rights to product alterations without prior notice.  
 Copyright © Vamp Ltd. All trademarks are the property of their respective holders.



ISO 9001:2000  
 certified company

