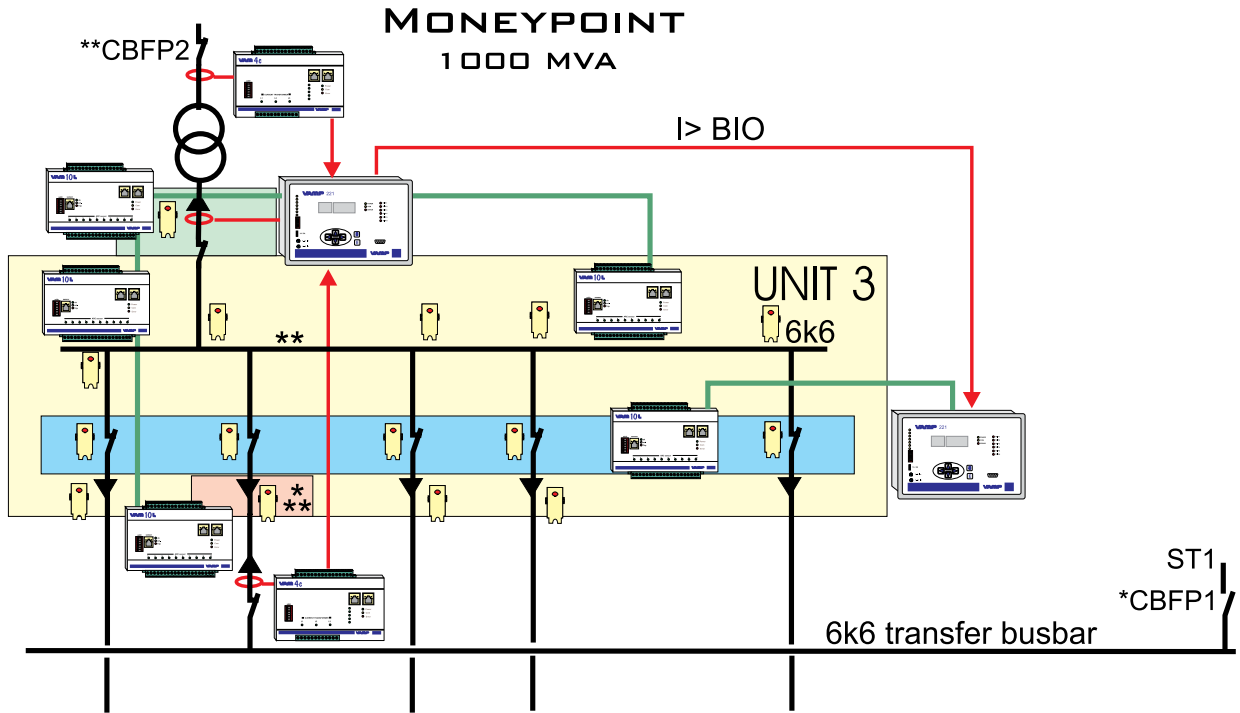


### Arc protection systems for Energy Supply Board of Ireland



A typical single-board set-up at the Moneypoint Power Plant

Vamp Ltd and Vaasa Service Ltd, a subsidiary of the Vaasa Engineering Group, have signed a contract with the Irish national energy supply board, ESB, regarding delivery of complete arc protection systems for six power plants. The project, which is the largest of its kind in Vamp Ltd's history, will be delivered on a turn key basis and includes high-end Vamp 221 systems and installation work by Vaasa Service Ltd. The project spans over a three-year period and is worth one million euros.

The Vamp/Vaasa Service setup was selected for the project because the companies were able to comply with all points in the ESB requirements. An example is the selective tripping scheme where nuisance tripping in the event of a magnetic air breaker flash-over is eliminated with selective

timing logic. The scope even includes remote current monitoring by stand-alone Vam 4C current i/o units which are installed up to 200 metres away from the Vamp 221 master unit.

Implementation of the project started in early 2006 and the investment had already paid for itself during the second quarter of 2006, when a voltage transformer blew up and as a consequence, a three-phase high-power arc fault occurred at one of the power plants. The Vamp 221 system tripped the breaker in 72 ms, including the breaker time, and spared the panel from a complete blow-up.

The project will continue during 2007 with focus on the 1000 MVA Moneypoint coal power plant, with some 600 arc supervision compartments.

VAMP Ltd  
Tel: +358 20 753 3200  
www.vamp.fi

We reserve the rights to product alterations without prior notice.  
Copyright Vamp Ltd. All trademarks are the property of their respective holders.



ISO 9001:2000  
certified company

